

# Installation Instructions

888-322-7762

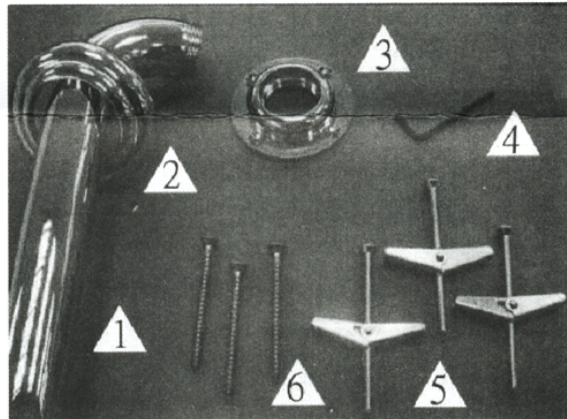
## Grab Bar Installation Instructions

### IMPORTANT:

- DO NOT install this product without first reading and understanding the instructions provided. If you are uncertain of these Instructions, contact a professional installer for assistance before trying to mount this product. Improper installation may result in injury.
- This Grab Bar can aid stability and provide support for a person weighing up to 300 pounds. Users with limited physical capabilities should be supervised or assisted when using Grab Bars.
- Grab Bars are not designed to support the total weight of an individual. Use Grab Bar for assistance only.
- Check that Grab Bars are firmly and properly installed. Never use Grab Bars if any looseness is noted.
- Alno, Inc. shall have no liability for any damage or injury caused by improper installation or use of this Grab Bar.

### TOOLS NEEDED:

- Power Drill
- 1/8" Drill Bit (for pilot hole installation of wood screw into wood wall stud)
- 5/8" Drill Bit (for installing toggle bolts)
- 1/4" Carbide Drill Bit (for drilling through ceramic tile when installing into wood wall stud)
- 5/8" Carbide Drill Bit (for drilling through tile and installing toggle bolts)
- Tape Measure
- Stud Finder
- #2 Phillips Screwdriver
- Level
- Safety Glasses



### Included:

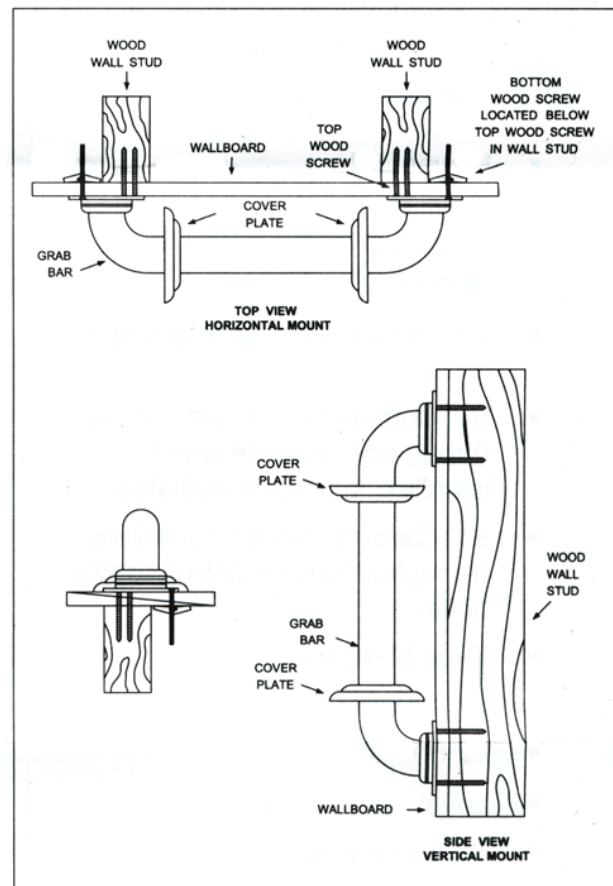
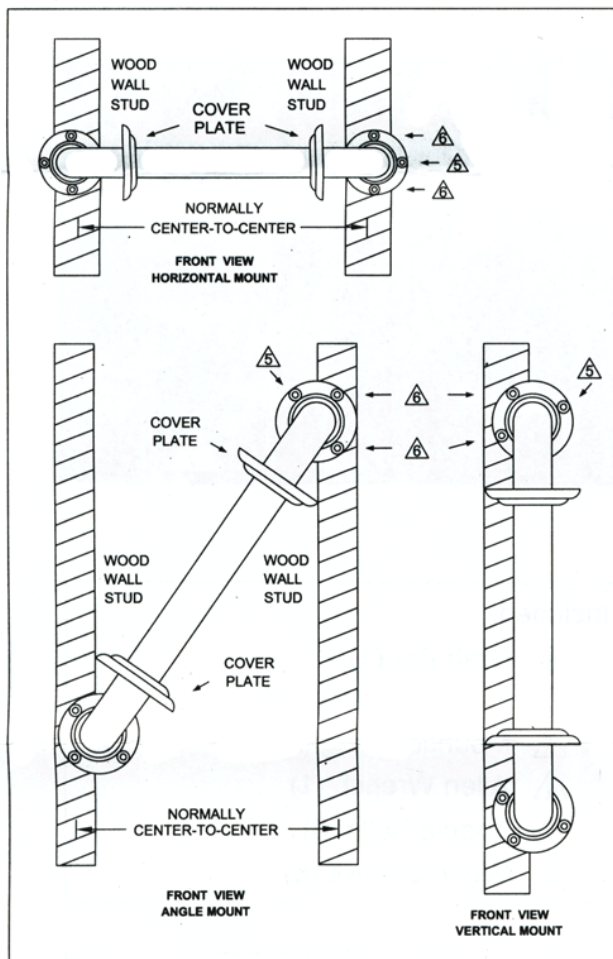
- △ Grab Bar (1)
- △ Decorative Plate (2)
- △ Mounting Ring (2)
- △ Allen Wrench (1)
- △ Toggle Bolts (6)
- △ Wood Screws (6)

### PROPER INSTALLATION IS EXTREMELY IMPORTANT

When properly installed, Alno, Inc. Grab Bars meet and exceed Federal guidelines mandated by the Americans with Disabilities Act and ASTM F466. However, it is the responsibility of the installer to ensure that the mounting is secure and that the grab bar is properly installed.

# Mounting into Wood Wall Studs

1. Wear Safety glasses or goggles.
2. First slide the decorative plates over the Grab Bar.
3. Next, turn the mounting rings securely onto each end of bar. Then use the allen wrench to tighten the setscrews onto both mounting rings.
4. Find the studs near your proposed grab bar location using a stud sensor.
5. Place the Grab Bar over the studs on the wall positioning it so that at least two of the screw holes align with the studs. Mark the stud locations with a pencil. Use level to be certain that Grab Bar is level.
6. Use 3/8" power drill and 1/8" drill bit to drill all holes into the wall and wood wall studs at the noted positions. (If installing through ceramic tiles use 1/4" carbide drill bit to prevent damage to the tiles. Once the holes are drilled through the ceramic tiles use 1/8" drill bit to drill the pilot holes into the wood wall stud itself.)
7. Insert two wood screws into one end of the Grab Bar mounting ring. Screw into wall and wall stud by hand-operated screwdriver only. Tighten securely. Insert toggle bolt into third hole by hand-operated screwdriver only and tighten securely. One hole may remain unused if unable to insert toggle bolt and tighten securely.
8. Repeat steps 6 and 7 on the other end of the Grab Bar.
9. Check that Grab Bar is secure and properly installed.
10. Move decorative plate covers over the mounting holes and press firmly into place.



**Note:** Proper installation requires at least two wood screws mounted securely into wood stud.