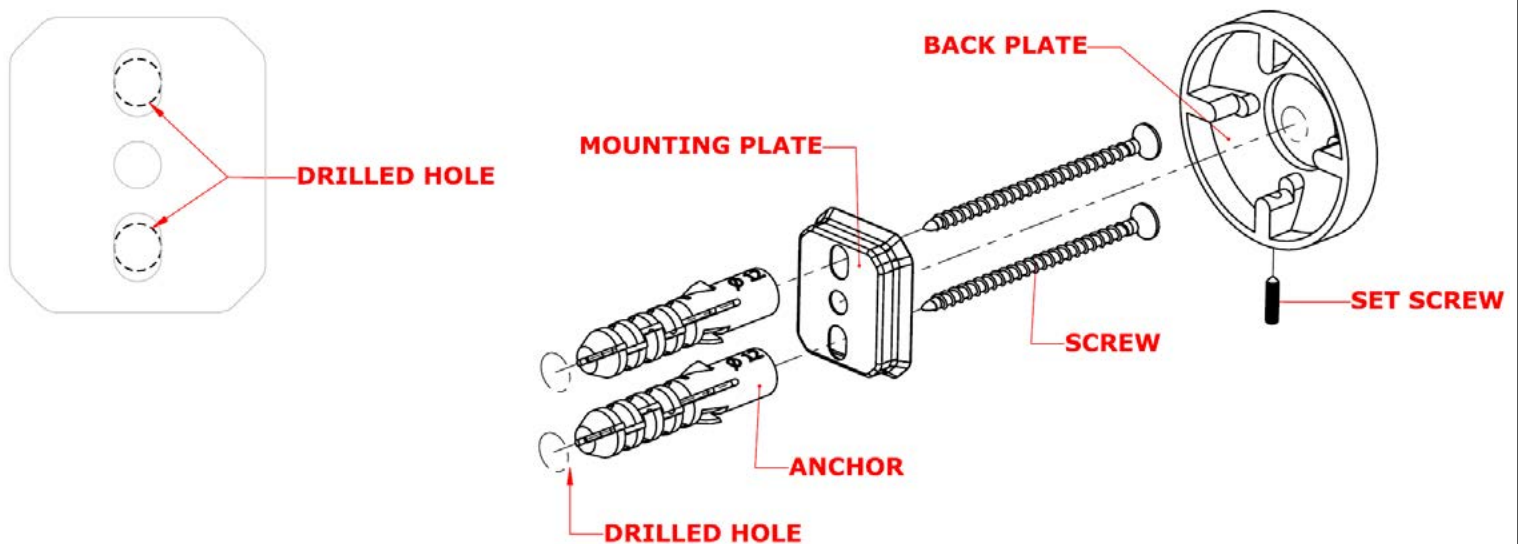


BRACKET INSTALLATION INSTRUCTIONS

STEP 1

1. Determine your desired location for installation and make a mark for the location of the mounting plate.
2. Remove mounting plate from backplate by loosening set screw in backplate. Place center hole of mounting plate over mark made above.
3. Make 2 marks where mounting screws will be placed. Drill hole at each of the marks. (You may substitute other style mounting anchors or screws if desired).
4. Place anchors into the holes made. Place mounting plate over holes and secure to mounting surface using screws.



STEP 2

1. Place bracket on mounting plate and secure by tightening set screw.

