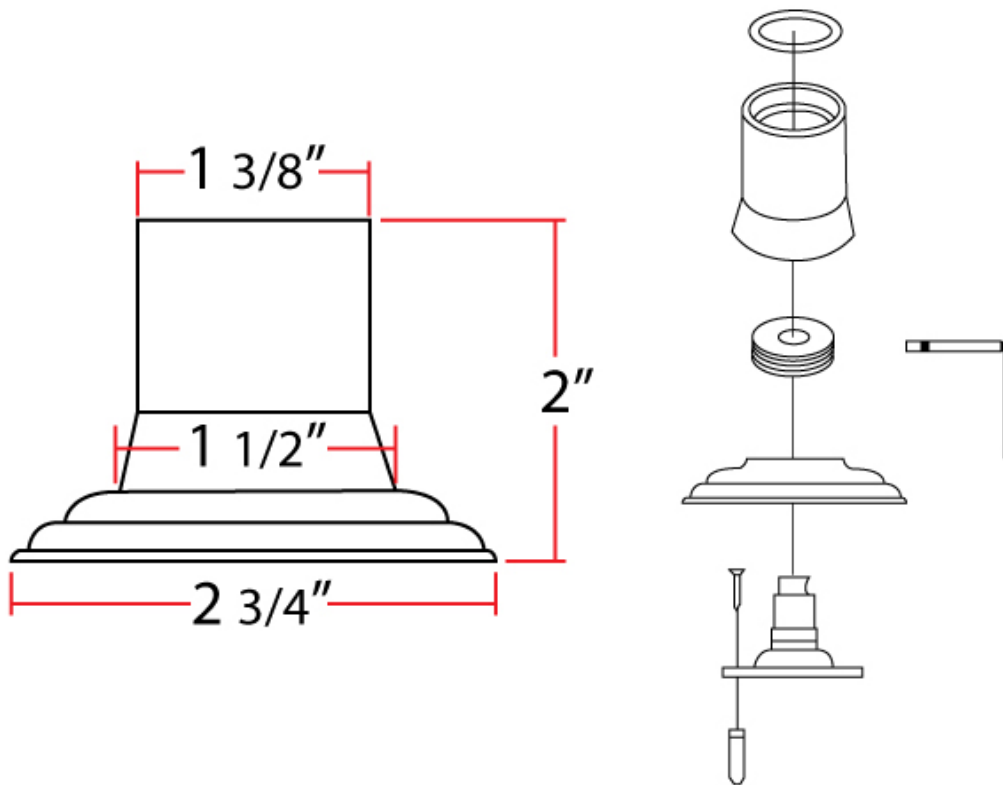


# Installation Instructions

888-322-7762



1. Tighten the set screw in place.
2. Place shower rod into the balance of the both flanges and tighten each side in place  
Unscrew the top of the shower rod Wall Flange. Unscrew the threaded disc and remove the wall mounting bracket.
3. Position Wall Flange mounting bracket onto the wall and mark location of where to drill the mounting screw holes.
4. Drill the screw holes. Install the plastic anchors into the wall.
5. Position the mounting bracket and put screws into the screw holes and tighten.
6. Measure and trim the shower rod to fit the space.
7. Thread the flange onto the threaded mounting plate. Place round disc onto the post.