



CORNER SHOWER ROD INSTALLATION INSTRUCTIONS

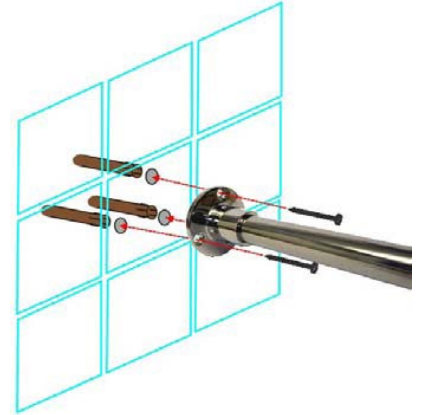
TOOLS REQUIRED FOR INSTALLATION:

- Electric drill
- Measuring tape
- Masking tape
- Screw driver

INSTALLATION:

1. Clean the inside of the tubes and also the elbow piece with a clean cloth. **Note - Careful, there may be sharp metal exposed at the ends.** Take the metal glue provided and add a moderate amount to the inside of each tube. Push the tube ends over the elbow and leave to set for 10 minutes.
2. Hold the L shaped rod up against the two wall as per Diagram 1 and mark the position of the point where the long tube touches the wall on your newly marked horizontal line with a pencil "a".
3. Fix masking tape to the area where you will fix the first bracket and carefully mark and drill the three holes, then add the rawplugs and fix bracket to wall.
4. Insert assembled rod into the wall bracket "a" then check that the rod is level using a spirit level and mark position of the second bracket "b".
5. Mark and drill the ceiling for the support rod flange. Secure flange to the ceiling. (Trim support rod if needed) Insert onto the O-loop ring "c".
6. Carefully mask the tile off, drill the holes and add the rawplugs.
7. Slide remaining bracket onto the shorter rod and then push the opposite end of the rod into bracket "a". Slide second bracket to wall and fix "b". And tighten up the retaining grub screws on the brackets. Your rod is now completed.

- Tape up area with masking tape
- Mark & drill holes
- Add rawplugs & fix bracket to tiled wall and ceiling



- Ensure rod is level and straight

