

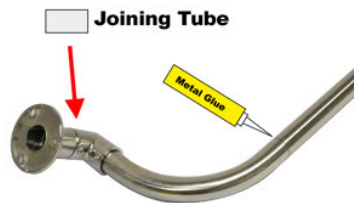
## EAVES SHOWER ROD INSTALLATION INSTRUCTIONS

### TOOLS REQUIRED FOR INSTALLATION:

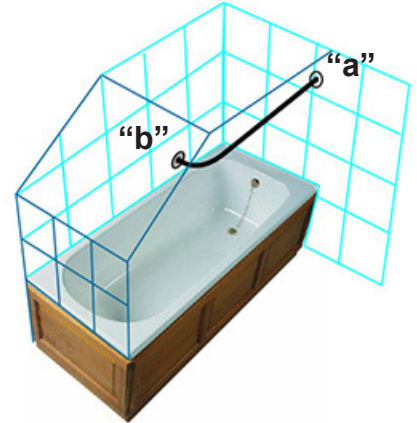
- Electric drill
- Measuring tape
- Masking tape
- Screw driver
- Hacksaw (to trim steel rod to desired length)

### INSTALLATION:

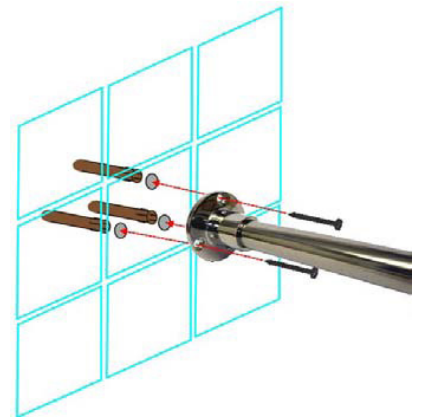
1. Measure up from the base of the bathtub approximately 4" more than the length of your shower curtain and make a horizontal line where you would like bracket "a" to be positioned.
2. Join parts without gluing and once complete you can decide on the length of the shower rod. Once you have carefully decided on the desired length, use a stainless steel hacksaw blade to trim the rod.
3. Clean the inside of the non cut end of the tube and also the elbow with with a clean cloth.  
**Note - Careful, there may be sharp metal exposed at the ends from trimming rod.**  
 Take the metal glue provided and add a moderate amount to the insides of the tube. Push the elbow into the tube and leave to set.
4. Re-assemble the Eaves Shower Rod, hold it up against the two walls as per Diagram 1 and mark the position of the point where the brackets touches the wall with a pencil. ("a" and "b").



5. Place masking tape to the area where you will fix the brackets and carefully mark and drill the three holes, then repeat this on the sloping ceiling. Fit the raw plugs.
6. Place the rod up to the wall / sloping ceiling and fix into place. Now tighten up the retaining grub screws on the brackets.



- Tape up area with masking tape
- Mark & drill holes
- Add rawplugs & fix bracket to tiled wall and sloped ceiling



- Ensure rod is level and straight
- Mark new bracket and repeat above procedure then fix rod in place