



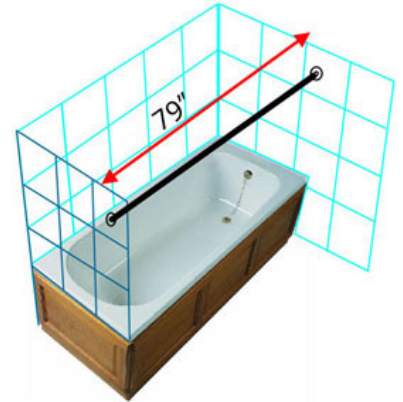
STRAIGHT SHOWER ROD INSTALLATION INSTRUCTIONS

TOOLS REQUIRED FOR INSTALLATION:

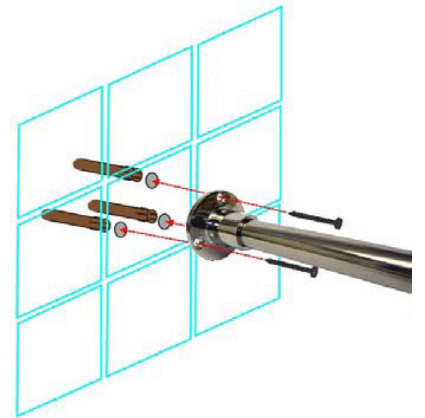
- Electric drill
- Measuring tape
- Masking tape
- Screw driver

INSTALLATION:

1. Fix masking tape to the area where you will fix the first bracket and carefully mark, drill and loosely fix the bracket with the screws and rawplugs supplied.
2. Measure the distance between the tiles and cut the rod 10mm short of this measurement with a pipe cutter or hacksaw.
3. Slide both fixings onto the tube, screw in and loosely fix the first bracket.
4. With a level on top of the rod, push the second bracket into place, check for the rod being level and at the same distance from the wall as the first bracket.
5. Mark the wall where the second bracket will fit and remove rod and first fixing completely from wall again.
6. Fix masking tape to the area where you will fix the second bracket and carefully mark and drill the second bracket and insert the rawplugs supplied.
7. Slide both brackets onto the rod and mount the rod to the wall.
8. Tighten the allen screws on both brackets with the allen key provided.



- **Tape up area with masking tape**
- **Mark & drill holes**
- **Add rawplugs & fix bracket to tiled wall**



- **Ensure rod is level and straight**
- **Mark new bracket and repeat above procedure then fix rail in place**