



SINGLE WALL MOUNT STRAIGHT ROD **INSTALLATION INSTRUCTIONS**

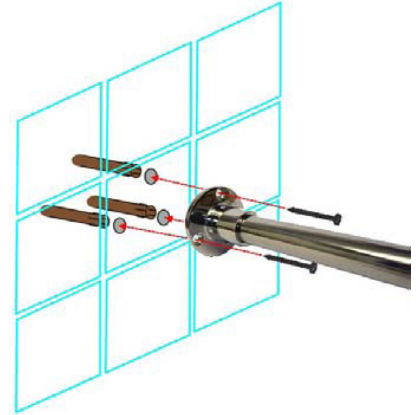
TOOLS REQUIRED FOR INSTALLATION:

- Electric drill
- Measuring tape
- Masking tape
- Screw driver

INSTALLATION:

1. Fix masking tape to the area where you will fix the wall bracket and carefully mark, drill and fix the bracket with the screws and rawplugs supplied.
2. Decide on the length of your rod and cut it to size.
3. Loosen the grub screws on the wall bracket and slide in the rod.
4. Tighten the grub screws to secure the rod.
5. Your shower rod installation is now complete.
6. Please note this rod as it is supported at one end only will only support a shower curtain. It will not hold the weight of heavier items as it may become detached from the wall if doing so.

- Tape up area with masking tape
- Mark & drill holes
- Add rawplugs & fix bracket to tiled wall and ceiling



- Ensure rod is level and straight

