

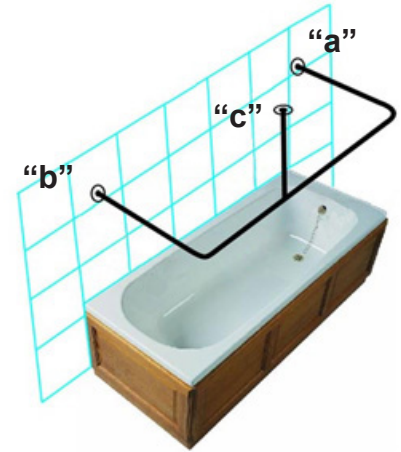
“U” SHOWER ROD INSTALLATION INSTRUCTIONS

TOOLS REQUIRED FOR INSTALLATION:

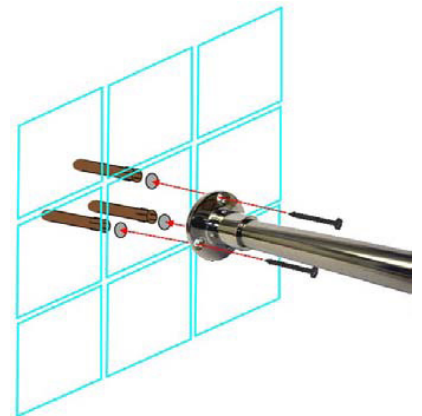
- Electric drill
- Measuring tape
- Masking tape
- Screw driver
- Hacksaw

INSTALLATION:

1. Clean the inside of the tubes and also the elbow piece with a clean cloth. **Note - Careful, there may be sharp metal exposed at the ends.** Take the metal glue provided and add a moderate amount to the inside of each tube. Push the tube ends over the elbow and leave it to set.
2. Hold the U shaped rod up against the wall as per the diagram to the right and mark the position of the point where the tube touches the wall.
3. Fix masking tape to the area where you will fix the first bracket “a”. Carefully mark and drill the three holes, then add the rawplugs and fix bracket “a” to wall.
4. Insert assembled rod into the wall bracket “a” then check that the rod is level using a spirit level and mark position of the second bracket “b”.
5. Carefully slide ceiling support ring into the rod “c” Position and tighten set screws.
6. Carefully mask the tile off, drill the holes and add the rawplugs.
7. Slide remaining bracket onto the shorter rod and then push the opposite end of the rod into bracket “a”. Slide second bracket to wall and fix “b”. And tighten up the retaining grub screws on the brackets. Your rod is now completed.



- Tape up area with masking tape
- Mark & drill holes
- Add rawplugs & fix bracket to tiled wall and ceiling



- Ensure rod is level and straight
- Mark new bracket and repeat above procedure then fix rod in place