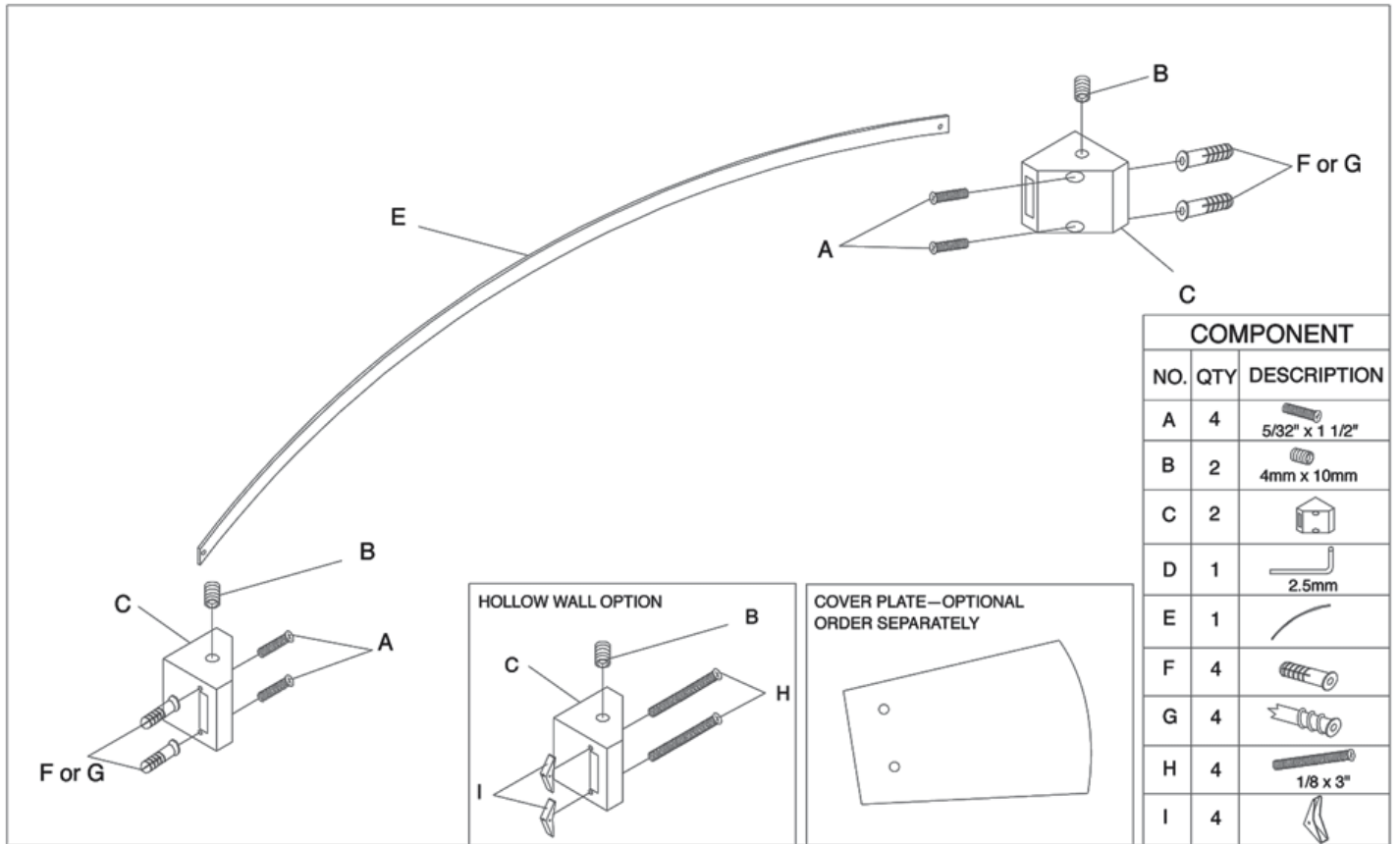




## ARC SHOWER ROD INSTALLATION INSTRUCTIONS



COMPONENT		
NO.	QTY	DESCRIPTION
A	4	5/32" x 1 1/2"
B	2	4mm x 10mm
C	2	
D	1	2.5mm
E	1	
F	4	
G	4	
H	4	1/8 x 3"
I	4	

- The ARC™ (designed for 60" tubs) has an out of the box arch of approximately 8 inches (20 cm).
- The amount of arc can be reduced by using a hacksaw to shorten the bar.
- The table below shows the amount to cut off one end of the bar to get the desired amount of arch.
- Because the ARC™ is aircraft aluminum and flexible you can cut off either end (cut only one end).

Remember to measure twice and cut once.

Desired amount of arch in The ARC™ (in.)/(cm)	Amount of bar to cut off end (in.)/(cm)
(A) 8" / 20.3 cm	0" / 0 cm
7" / 17.8 cm	0.5" / 1.3 cm
6" / 15.3 cm	1.0" / 2.5 cm
5" / 12.7 cm	1.5" / 3.8 cm

