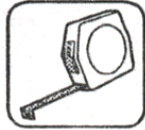
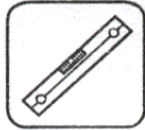


# Installation Instructions

888-322-7762

## Installation Instructions

### Tools required for assembly (not included)

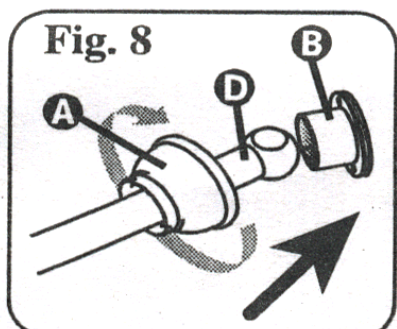
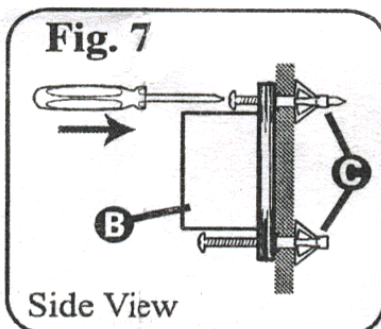
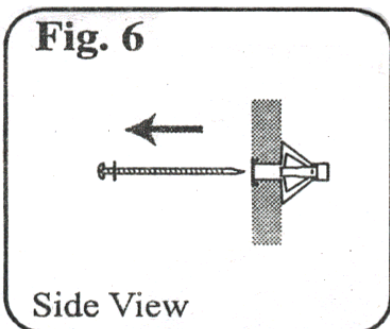
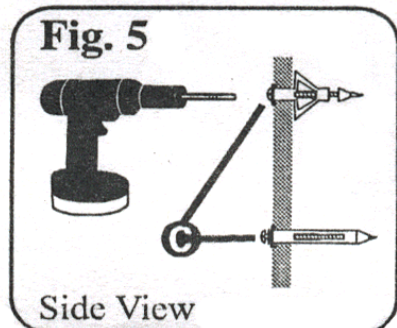
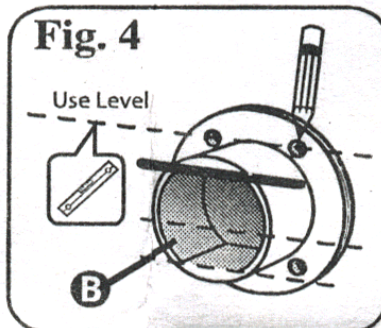
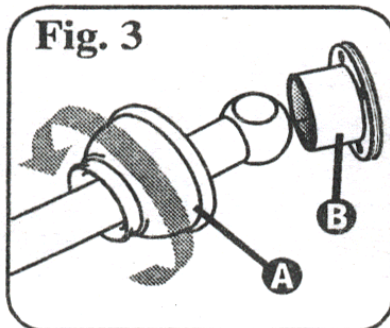
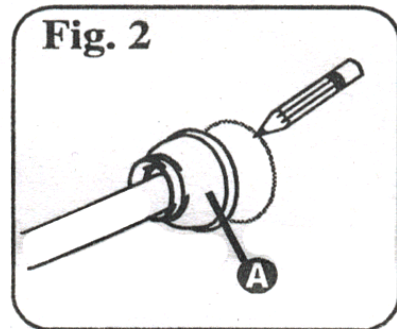
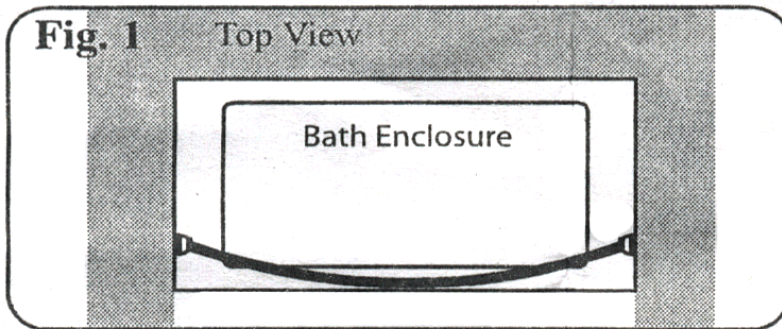


- Pencil
- Level
- Tape Measure
- Philips head screwdriver
- Electrical drill with 5/16 in. drill bit
- Safety glasses



### CAUTION

Molly bolts are for drywalls only.  
Use Tile Anchors for Tile surfaces  
(not included)



1. Measure mounting Location: Hold shower rod up to desired position, ensuring that rod is level and mark position on each wall by lightly tracing around the shower rod escutcheon(A). **(Fig.1&2)**
2. Disassemble Shower Rod by unscrewing escutcheons (A) and remove mounting brackets(B). **(Fig.3)**
3. Center a mounting bracket (B) in marked circle from **Step1** and mark mounting screw positions. Check for levelness before proceeding. Repeat on opposite side. **Make sure the flat sides of the mounting bracket are horizontal as shown.(Fig.4)**
4. Drill 5/16" holes as marked from **step3** and insert Molly Bolts (C) until flush with the wall (drywall installation only). Using a drill with a Phillips head bit, tighten screws of the Molly Bolts. This will collapse the Molly Bolt tightly to the wall. Repeat on opposite side. **(Fig.5)**
5. Unscrew the screws from the Molly Bolt leaving the Molly Bolt in place. Repeat on opposite side. **(Fig.6)**
6. Place mounting brackets (B) over Molly Bolts (C) and insert screws. Fasten the screws through mounting bracket holes. **(Fig.7)**
7. Install one end of Shower Rod (D) by inserting it into mounting bracket (B), ensuring proper fit and fasten Shower Rod escutcheon (A) by screwing onto the mounting bracket. Expand rod and repeat for other side. **(Fig.8)**