



Tub Shower Valve Ring Grab Bar Spec Sheet

Application use:

- Architectural
- Commercial
- Institutional
- Residential

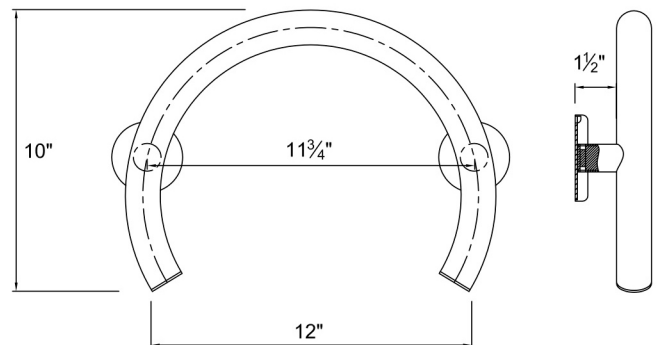
Specification:

The Tub Shower Valve Ring Grab Bar is manufactured using high quality 18 gauge 1.25" diameter 304 stainless steel.

Convenient mounting flange post with set screws allow for easy flange access during installation yet preserving the clean finished look of the concealed flange cover. Using a wingit compatible flange base and 5 optional screw hole ports makes locating on a stud or hollow wall even easier than ever.

The Bilanx Bath Collection is designed, built, and tested to 500lbs exceeding HUD, FHA, VA, ADA, ANSI and other federal, provincial, and local codes.

* Grab Bars can only be as strong as what they are mounted to. It is imperative when installing any safety product to consult with a qualified contractor to insure you have sufficient backing.



Easy to mount flange!
3 Set Screws on post allow pre-mounting
to the wall before attaching the bar.

