



Classic Shower Rod and Bracket Installation Instructions

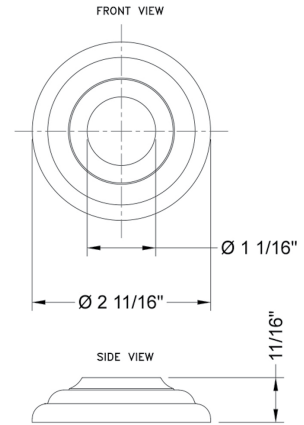


FIG. 1

*Cut Curtain Rod 1/2" less than distance between walls

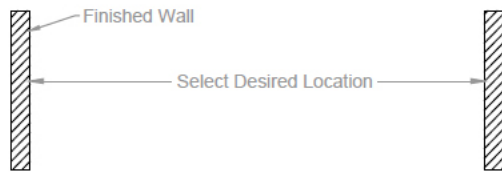


FIG. 2

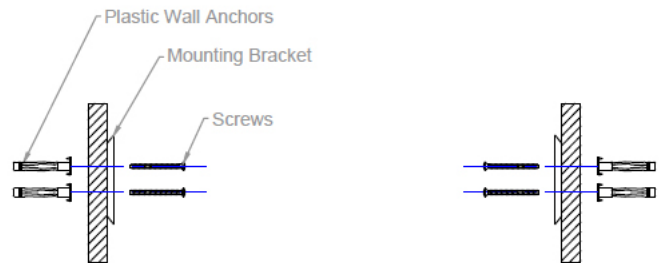


FIG. 3

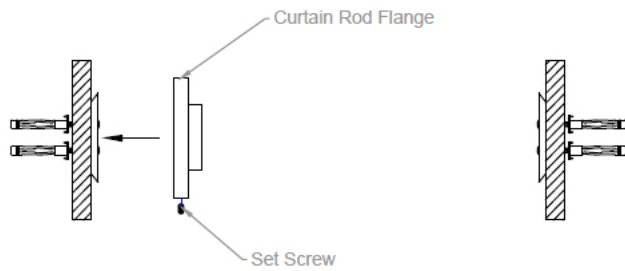


FIG. 4

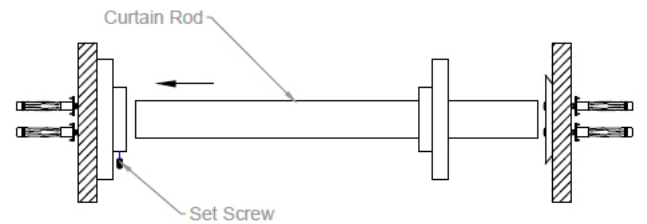


FIG. 5

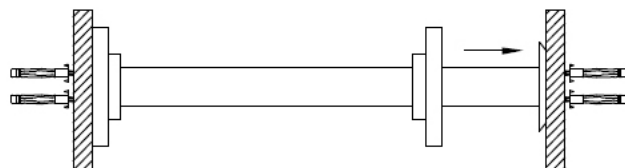


FIG. 6

