

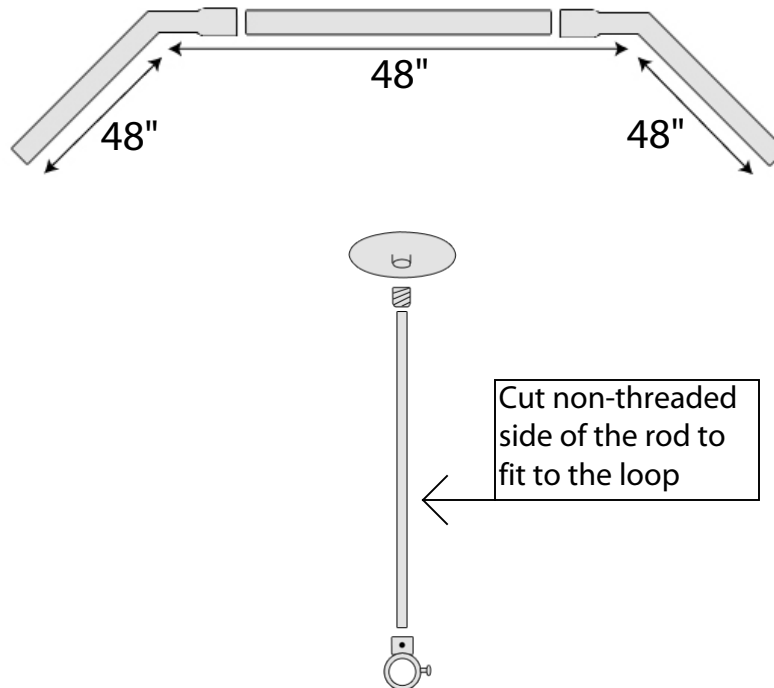
Installation Instructions

888-322-7762

Decorative end flange

Neo-Angle

48" x 48" x 48"



To shorten the neo-angle rod on any of the sides, cut at the three points shown on the instruction sheet.

- Take mounting bracket and mark the holes in the wall that are to be drilled.
- Drill the holes and fasten the brackets to the wall.
- Measure lengths of tubing and cut down accordingly. A tubing cutter can be used to cut down the tubing.
- Measure the ceiling support and cut the non-threaded side of the rod if necessary.
- Drill holes and fasten the ceiling support bracket to the ceiling. Screw the support rod into the ceiling support bracket.
- Insert the ceiling support loop onto the center tubing.
- Assemble the shower rod by sliding the lengths of tubing into each other.
- Insert the wall flanges over the ends of each side of the rod. Fasten down the set screw that holds the flange onto the rod.
- Place the unit onto the mounting bracket and tighten the set screw that holds the flange into place.
- Insert the rod into the loop and tighten.