

This package includes:

1 ea.- Shower Rod

2 ea. - Pivot Wall Brackets

2ea. - Pivot Connectors

One Hardware Bag Containing:

4 ea. - Set Screws

4 - Plastic Plug Wall Anchors

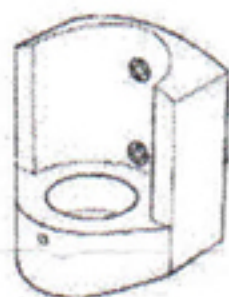
4 - Plastic Threaded Wall Anchors

4 - Plug Anchor Screws(smaller)

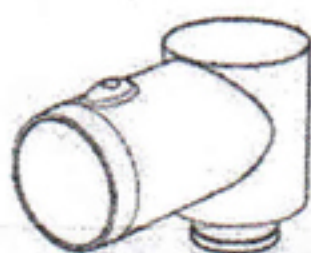
4 - Threaded Anchor Screws(larger)

1 - Allen Wrench (for assembly)

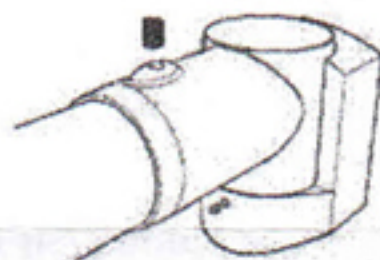
Before starting identify these parts: note the Wall Brackets are pre-assembled



Pivot Wall Bracket



Pivot Connector



Assembled Wall Bracket



Threaded Wall Anchor



Plug Anchor



Allen Wrench

Recommended tools for installation - pencil, hammer, drill, Phillips head screwdriver, nail or hole punch for tile installation

Notes:

- 1.) If the Shower Rod is to be installed into wall tiles, a $\frac{1}{4}$ " glass/tile drill bit (not included) must be used to avoid cracking the tile. This type of drill bit is available at your local hardware store.
- 2.) This product is not recommended to be installed into fiberglass or acrylic walls without additional mounting hardware (not included). Please consult a contractor or your local hardware store for this type of installation.

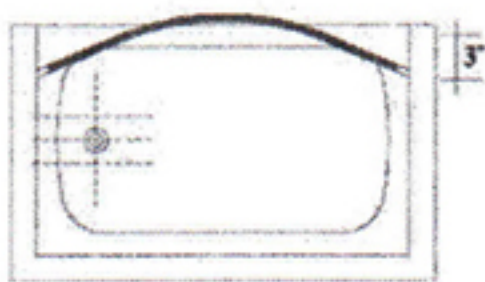
Installation Instructions:

- 1.) Close or cover drain in tub to prevent debris from falling into drain pipe.
- 2.) Slide the Assembled Wall Bracket onto each end of the Shower Rod. Do not tighten the set screws on the Connectors at this time. Note, you may want to install your shower curtain onto the Shower Rod at this time.

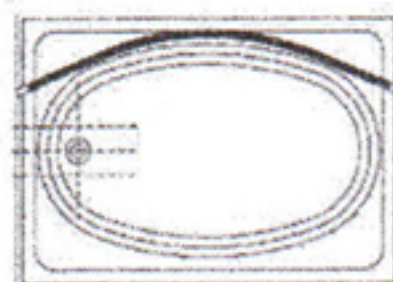
Recommended mounting location of the Shower Rod - For a standard tub installation it is recommended that the Shower Rod be installed 3" inside of where a straight rod would be installed (see diagram below). This type of installation will decrease the amount of shower spray at the ends of the curtains.

For an oval tub installation it is recommended that the Shower Rod curve just outside of the contour of the tub (see below diagram).

These are recommended mounting locations only, you can mount the Shower Rod in the location that allows the Shower Rod to curve into your bathroom the desired distance.



Standard Tub



Oval Tub

- 3.) Making sure that the partially assembled Shower Rod is level and with one person at each end, lift the rod into the approximate area where you would like to mount the rod.
- 4.) Now holding the Shower Rod in the exact location where you want to install the rod, slide the assembled wall brackets tightly against each wall. Making sure that the rod and Assembled Wall Brackets are level, with a pencil, lightly trace the top and bottom edges of the wall brackets on the wall.
- 5.) Slowly lower the partially assembled Shower Rod and set it aside.
- 6.) Using the Allen Wrench un-screw the set screw in the base at the Pivot Wall Bracket and separate the two parts of the wall brackets, take one Pivot Wall Bracket and place it on the wall in one of the locations marked in step #4.
- 7.) With the pencil mark the two locations of the two mounting holes in the Pivot Wall Bracket on the wall. (12 o'clock and 6 o'clock locations), refer to below diagram.
- 8.) Repeat steps 6 and 7 to mark the location of the Pivot Wall Bracket on the other wall.

Anchor Installation:

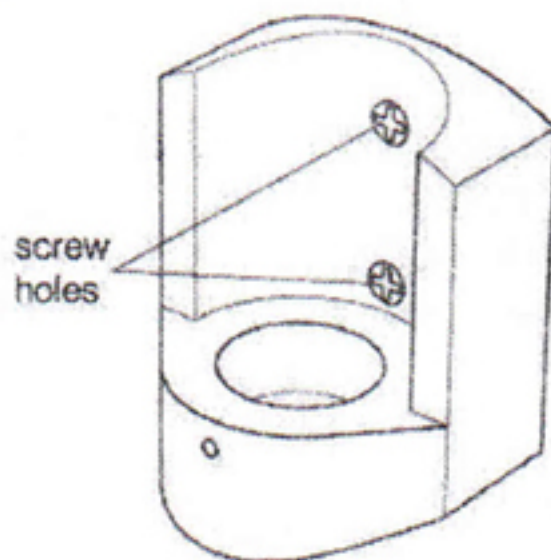
Into drywall or sheetrock:

- a.) Drill a small pilot hole through the drywall at each of the four locations determined in steps #7 and #8.
- b.) Insert a Phillips head screwdriver into one of the end of the Threaded Plastic Wall Anchors and screw the anchor into one of the holes until the exposed end of the anchor is flush with the wall. Repeat this step to install the anchors into the other three holes.

Into wall tile: Note, you must be careful when drilling, not to crack the wall tile.

- a.) Using a metal hole punch or sharp nail, lightly tap a starter hole into the tile at the four hole locations determined in steps #7 and #8.
- b.) Using a 1/4" glass/tile drill bit, slowly and carefully drill four holes into the tile at the locations of the starter holes. Make sure to drill the holes deep enough so that the Plug Anchors can be inserted completely into the holes.
- c.) Very carefully, tap the four Plastic Plug Wall Anchors into the holes in the tile until the exposed ends of the anchor are flush with the tile.

9.) Place one of the Pivot Wall Brackets over the anchors in the wall and using the correct two screws, screw the screws through the Wall Bracket and into the wall anchors (see diagram below). Tighten the screws so the Wall Bracket is tight against the wall. DO NOT over-tighten the screws. Repeat this step to install the second Pivot Wall Bracket.



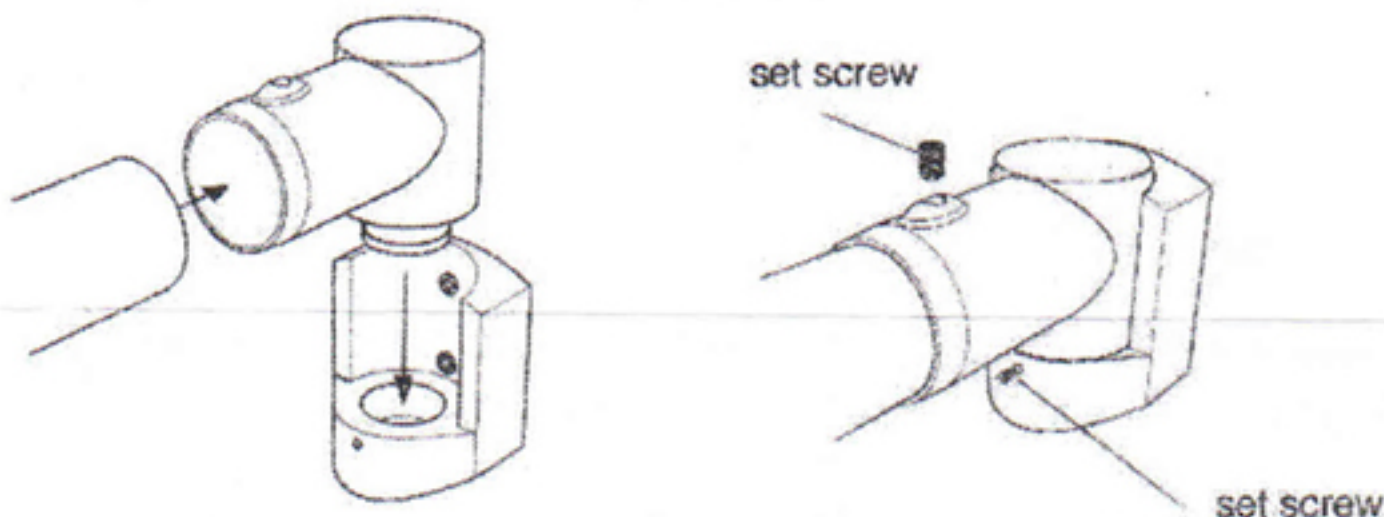
10.) Slide the Pivot Connectors onto the ends of the Shower Rod .

11.) With a person at each end of the rod, raise the partially assembled rod (making sure to keep the rod level) up to the mounting locations. Slide the Pivot Connector onto the ends of the rod to the correct distance and insert the Pivot Connectors into the base of the two Wall Brackets. Make sure the Pivot Connectors are inserted fully into the Wall Bracket- you may need to tap lightly on top of the Pivot Connector to make sure it is completely inserted. (see below diagram)

12.) Slide the Shower Rod so that equal portions of the rod are inside of the Pivot Connectors. Make sure that the ends of the rod extend past the set screw holes in the Pivot Connectors.

13.) Using the allen wrench screw the set screws into the base of the Pivot Wall Brackets (see below diagram) and tighten completely. Do not over-tighten. This set screw will prevent the Pivot Connectors from pivoting.

14.) Using the allen wrench screw the set screws into the set screw holes on the top of the Pivot Connectors (see below diagram) and tighten the screws until they are tight against the rod on the inside of the Pivot Connectors, do not over-tighten. This set screw will prevent the rod from sliding back and forth.



15.) Grab the Shower Rod and make sure that it does not slide in and out of the Pivot Connectors. If it slides, re-center the rod in the Pivot Connectors and re-tighten the set screws on the Pivot Connectors. Do not over-tighten.

Helpful cleaning hint - Clean periodically with a damp cloth, avoid using cleansers.

DO NOT HANG OR CLIMB ON THE INSTALLED SHOWER ROD !

Failure to correctly install the Shower Rod eliminates any liability to SPRING HOUSE for damages caused by improper installation.