

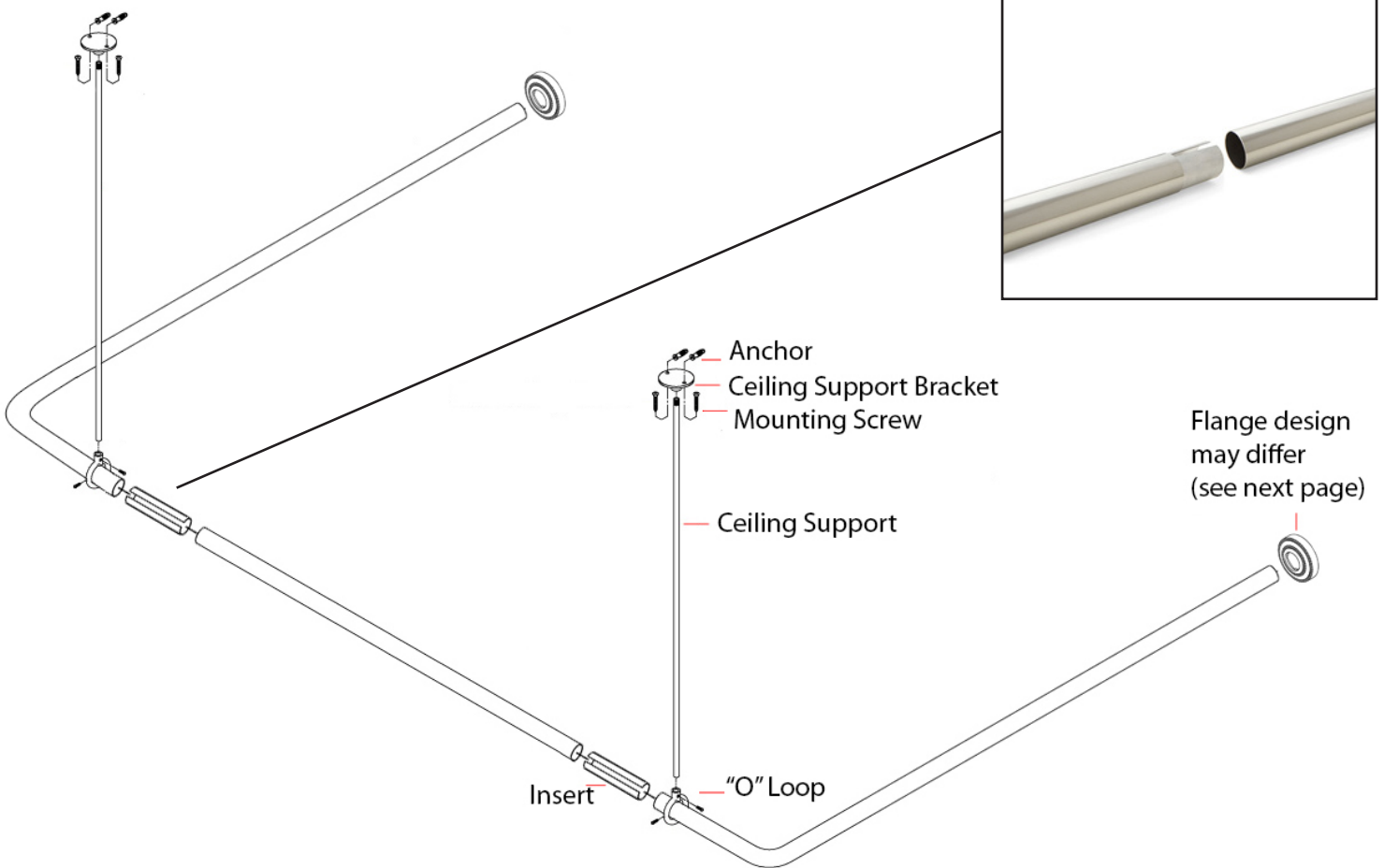


U-Shaped Shower Rod Installation Instructions

CONTENT

- (3) Rods (2 corners & 1 straight)
- (2) Decorative Flanges (all mounting screws included)
- (2) 36" Ceiling Support (all mounting hardware included)
- (2) Inserts

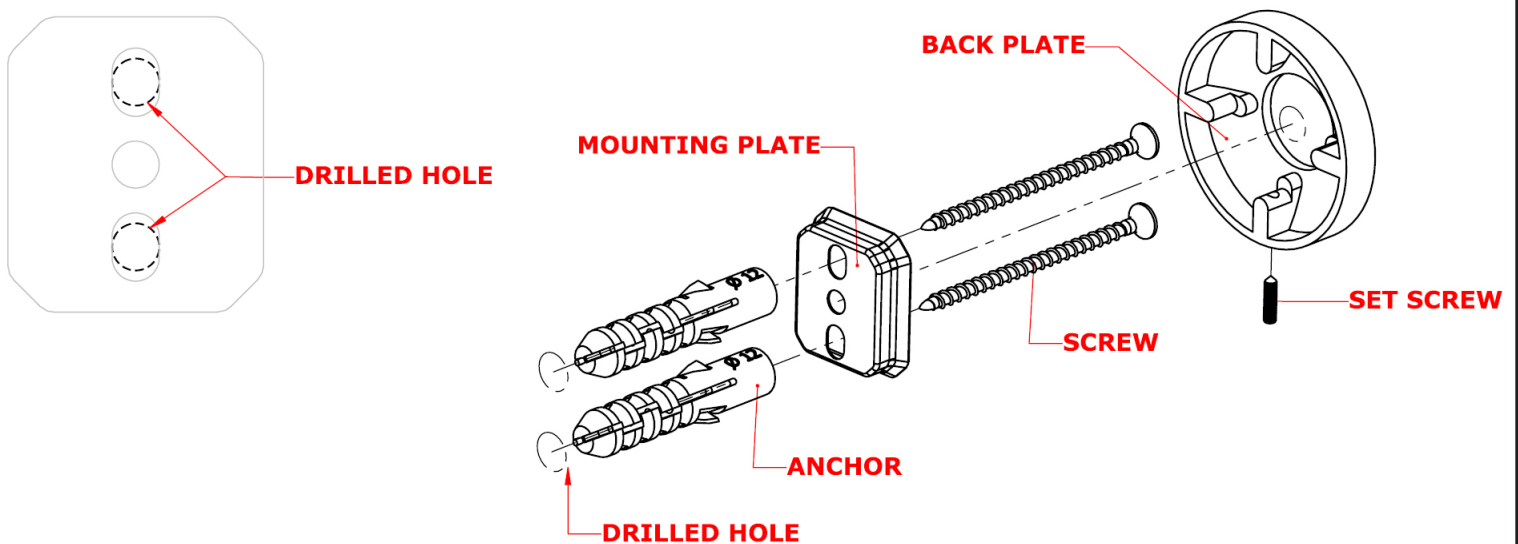
1. Position **Decorative Bracket** on desired location on the wall and mark for the screws - drill holes and insert plastic anchors. Repeat for **Ceiling Support Bracket**.
2. For maximum support on all set screws:
 - Position brackets at the end of each corner rod, and slide "O" loop in the center.
 - Mark location of set screw holes and remove brackets and loop.
 - Drill slightly smaller hole into the rod where it was marked.
 - Assemble brackets and loop back and tighten all set screws into the rod.
3. Trim **Ceiling Support** to desire length. Fasten Support Rod into Ceiling Support Bracket, and tighten "O" loop set screw onto ceiling support.
4. Use insert to connect all 3 rods.
5. With the help on another person, place assembled U-Rod on marked location and screw the Decorative Brackets into the wall and Ceiling Support Bracket into the ceiling.



BRACKET INSTALLATION INSTRUCTIONS

STEP 1

1. Determine your desired location for installation and make a mark for the location of the mounting plate.
2. Remove mounting plate from backplate by loosening set screw in backplate. Place center hole of mounting plate over mark made above.
3. Make 2 marks where mounting screws will be placed. Drill hole at each of the marks. (You may substitute other style mounting anchors or screws if desired).
4. Place anchors into the holes made. Place mounting plate over holes and secure to mounting surface using screws.



STEP 2

1. Place bracket on mounting plate and secure by tightening set screw.

